



Installation and maintenance instructions

Rooflam Evolution Treuil

Designation and commercial reference: Rooflam Evolution Treuil

Certificate No. :0333 CPD 219018

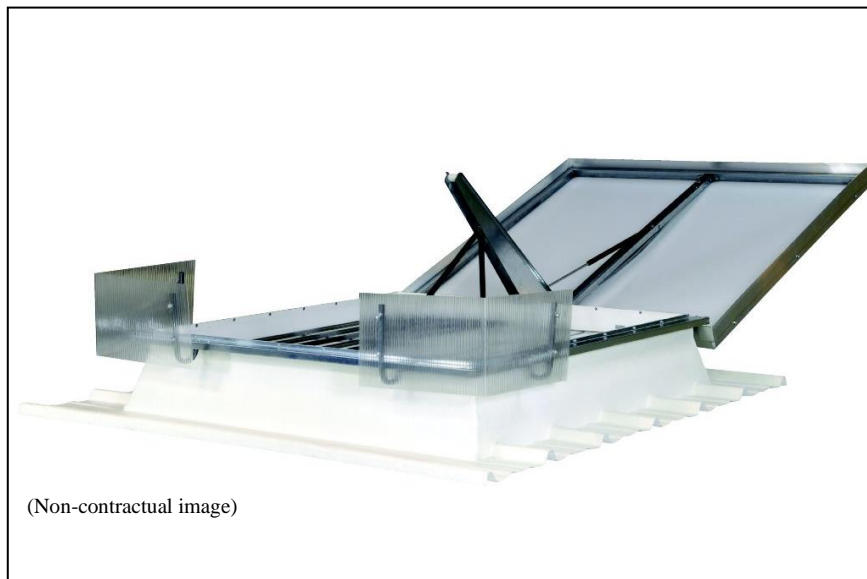
DOP No.: RET

Year of certificate: 2006

Reference standard: NF EN 12101-2 / NF S 61-937-1 / NF S 61-937-7

Certification rule: CE 219 / NF 537

Warning: This notice cannot constitute a contractual document; the manufacturer reserves the right to make without notice any modification he deems useful.



Certifying body:
AFNOR Certification

11, rue Francis de Pressensé
F-93571 La Plaine Saint Denis Cedex
Phone : +33(0)1.41 62 80 00
Fax: +33(0)1 49 17 90 00

Websites: www.afnor.org and www.marque-nf.com
Email: certification@afnor.org



Page 1 on 11	Ref: NIE 018-5 Rooflam Winch Evolution Updated: 01/08/2022	SKYDOME Factory Entre-deux-Villes 02270 Sounds-and-Ronchères Phone : 03 23 21 79 90	
-----------------	--	--	--



Table of Contents

- 1. Identification 3
 - 1. Type of DENFC (Natural Smoke and Heat Evacuation System) 3
 - 2. Range Type 3
 - 3. Energy type 3
 - 4. Possible variants in range 3
- 2. Characteristics 4
 - 1. General characteristics of Operated Safety Devices (SARs) 4
 - 2. General characteristics of constituents: 4
- 3. Media precautions 4
 - 1. The support receiving the DENFC must be flat, within the normative tolerances of building construction. 4
 - 2. The installation of DENFC is carried out according to one of the following two rules: 4
 - a. Rule 1 4
 - b. Rule 2 5
- 4. Explanation of the product marking code 5
- 5. Range 7
- 6. Installation and implementation 8
 - 1. Installation of apparatus 8
 - 2. Installation of the ROOFLAM® Evolution Treuil 8
 - 3. The installation of deflectors 8
 - 4. Assembly and connection 10
- 7. Instructions for use 10
- 8. Maintenance instructions 10
- 9. Spare 11
- 10. Additional information about options: 11
- 11. Note 11



1. Identification

1. Type of DENFC (Natural Smoke and Heat Evacuation System)

DENFC mounted on the roof.

2. Type of range

Asimple smoke extraction standard opening from the ROOFLAM® Evolution range Winch.

3. Type of energy


DENFC powered by intrinsic energy within the meaning of standard NF EN 12101-2.

4. Possible variants in the range

- Costières:
 - Polyester shell

- Fills:
 - Honeycomb polycarbonate cover thickness 10,16 and 32 mm
 - 32 & Dome
 - Single / double or triple domes
 - Non-insulated aluminium cover, 40 mm and 60 mm
 - Acoustik'Light

- Options:
 - Fall arrest and/or burglar retardant bars
 - Position switch

Page 3 on 11	Ref: NIE 018-5 Rooflam Winch Evolution Updated: 01/08/2022	SKYDOME Factory Entre-deux-Villes 02270 Sounds-and-Ronchères Phone : 03 23 21 79 90	
-----------------	--	--	---



2. Characteristics

1. General characteristics of Operated Safety Devices (SARs)

- A D.A.S. must not issue an order
- Devices for checking the safety and/or waiting positions of the D.A.S.
- Unblocking energy external to the D.A.S.
- Functional independence of the self-control and remote control
- No remote reset if passing in safety position by self-control
- Rearmament by remote control only if the energy to the previous rearmament has been interrupted
- End-of-life damping
- Type B or type A if height of the component to be handled less than or equal to 2.50 m from the ground

2. General characteristics of the constituents:

- Control of the positions of the D.A.S.
- Class III for electrical equipment operating under very low safety voltage (TBTS)
- Isolation of electrical circuits in TBTS and electrical circuits of other equipment
- Minimum protection class IP 42
- Presence of the main connecting device
- Specific TBTS connection device
- Minimum electrical characteristics of position contacts
- Independence of control electrical circuits with other circuits
- Electromagnetic trigger operating characteristics

3. Precautions on the support

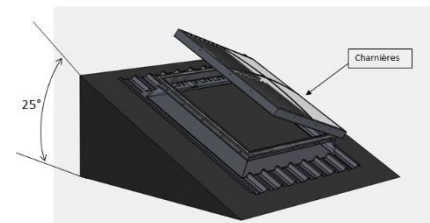
1. The support receiving the DENFC must be flat, within the normative tolerances of building construction.
2. The installation of the DENFC is carried out according to one of the following two rules :

a. Rule 1


The maximum slope allowed when the axis of articulation is parallel to the roof slope and the Geometric Surface (Av) is < to 2m², is 25° or 46.65%.

The maximum slope allowed when the axis of articulation is parallel to the roof slope and the Geometric surface (Av) is > to 2m², is 20° or 36.45%.

In both cases, the hinges are positioned on the right if you look towards the ridge.



Warning: the device must be installed according to the standards, technical instructions, and any rules or texts in force.

<p>Page 4 on 11</p>	<p>Ref: NIE 018-5 Rooflam Winch Evolution Updated: 01/08/2022</p>	<p>SKYDOME Factory Entre-deux-Villes 02270 Sounds-and-Ronchères Phone : 03 23 21 79 90</p>	
-------------------------	---	--	---

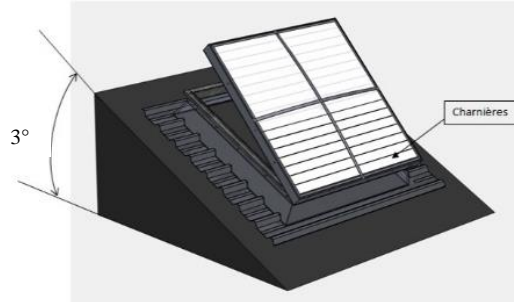


Installation and maintenance instructions

Rooflam Winch Evolution


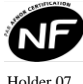

b. Rule 2


The maximum slope allowed when the axis of articulation is perpendicular to the roof slope is 3° or 5.25%. In this case, the hinges are positioned at the bottom of the slope.



Warning: the device must be installed according to the standards, technical instructions, and any rules or texts in force.

4. Explanation of the product marking code

	 0333	 Holder 07
	SKYDÔME®	
	<small>DEPARTEMENT ECLAIREMENT ZENITHAL ET DESENFUMAGE INCENDIE D'AXTER Entre deux villes - 02270 Sons et Rochères Tél: (33) 03.23.21.79.90 - Fax: (33) 03.23.20.51.18 - Email: info@skydome-axt.com</small>	
1	•	Certificate No., Certificate Date, DOP No., Mr. Roofing
2	•	NF EN 12101-2 2003
		Dispositif d'évacuation naturelle de fumées et de chaleur Montée en toiture
3	•	ROOFLAM EVOLUTION TREUIL
4	•	
		Aa 0.87 M ² Dimension Tremie (100x100)
5	•	TypeB; WL1500; SL250; T00; RE300;
		ER : <=100 CC >=3500mm
8	•	B300; B-s1-d0 RD: 0.95 daN
		Option de sécurité : T93°C
6	•	OF080505334 Code : E0R300206R2
		Date de fabrication : MAI 2008
		<small>ROOFLAM EVOLUTION TREUIL 100x100 NERVESCO 3 45 1000 TREMIE SOLEE PCA10 OPAL GRILLE RONDE 1200J</small>
		OF080505334 Date de fabrication : MAI 2008
	E0R300206R2	CTRL


Page 5 on 11	Ref: NIE 018-5 Rooflam Winch Evolution Updated: 01/08/2022	SKYDOME Factory Entre-deux-Villes 02270 Sounds-and-Ronchères Phone : 03 23 21 79 90	
-----------------	--	--	---



Installation and maintenance instructions

Rooflam Winch Evolution

- ① Number of the certificate, its date of obtaining, D.O.P. number, type of assembly.
- ② Reference standard in effect.
- ③ Trade description of the device.
- ④ Hopper size and Useful Aperture area (Aa).
- ⑤ Respectively:
 - Type of opening of the natural smoke and heat evacuation device.
 - Classification of wind load.
 - Classification of snow load.
 - Ambient temperature classification.
 - Reliability classification.
 - Cable tension and cable travel.
 - Heat resistance classification.
 - Reaction to fire classification of the materials constituting the DENFC, according to the European standard in force.
 - Dynamic resistance.
- ⑥ Manufacturing order number.
- ⑦ Item code (for device traceability).
- ⑧ Description of security options:
Trigger temperature for hot melt option.
- ⑨ Date of manufacture of the device.

Page 6 on 11	Ref: NIE 018-5 Rooflam Winch Evolution Updated: 01/08/2022	SKYDOME Factory Entre-deux-Villes 02270 Sounds-and-Ronchères Phone : 03 23 21 79 90	
-----------------	--	--	---



5. The range

The input characteristics of the device are available on the CE marking label on the inside front of the upstand.

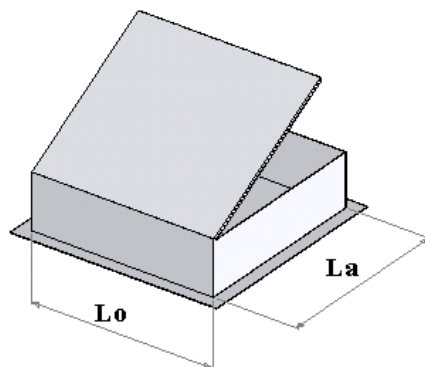
Below is the summary table of the maximum tension force on the cable for the rest of the device.

SIZE	OPENING		
	ALL FILLS		
Hopper* The x Lo	Maximum rearmament effort	Cable travel	Dynamic resistance RD
cm x cm	dan	mm	Dan
100 x 100	≤100	2300	<0.5
100 x 150	≤100	2300	<0.5
100 x 200	≤100	2300	<0.5
120 x 120	≤100	2700	<0.5
120 x 200	≤100	2700	<0.5
140 x 140	≤100	3050	<0.5
140 x 200	≤100	3050	<0.5
150 x 150	≤100	3250	<0.5
160 x 160	≤100	3400	<0.5

* "The" is the width of the device that receives the central winch crossmember.

"Lo" is the length of the device that has the hinges of the opening.

** The complete range admits an overload of 25Kg/m², regardless of the type of filling.
Only this size of device allows an overload of 50Kg / m², regardless of the type of filling.





6. Installation and implementation

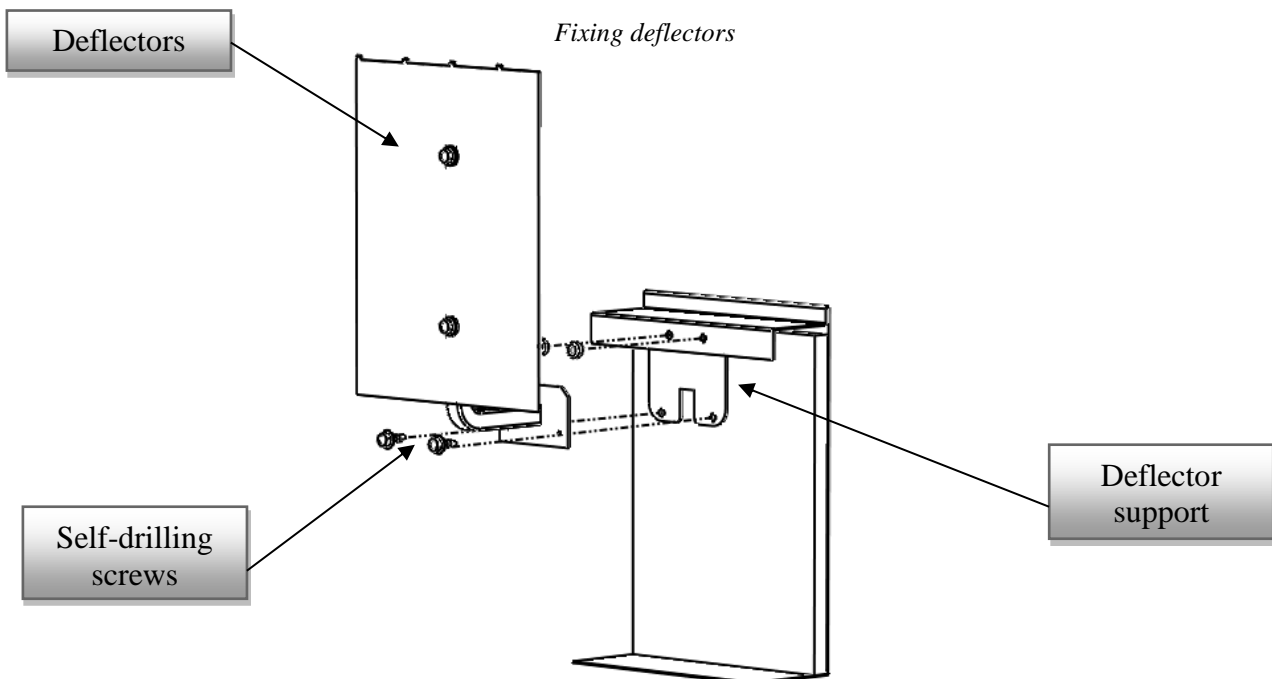
1. The installation of the device

Caution: any maneuver that may damage the mechanisms and/or structure of the DENFC is prohibited. SKYDOME® cannot be held responsible for the impact of such maneuvers.

2. Implementation of the ROOFLAM® Evolution Winch

The device will be fixed according to the recommendations of the texts and standards in force.

3. The installation of deflectors

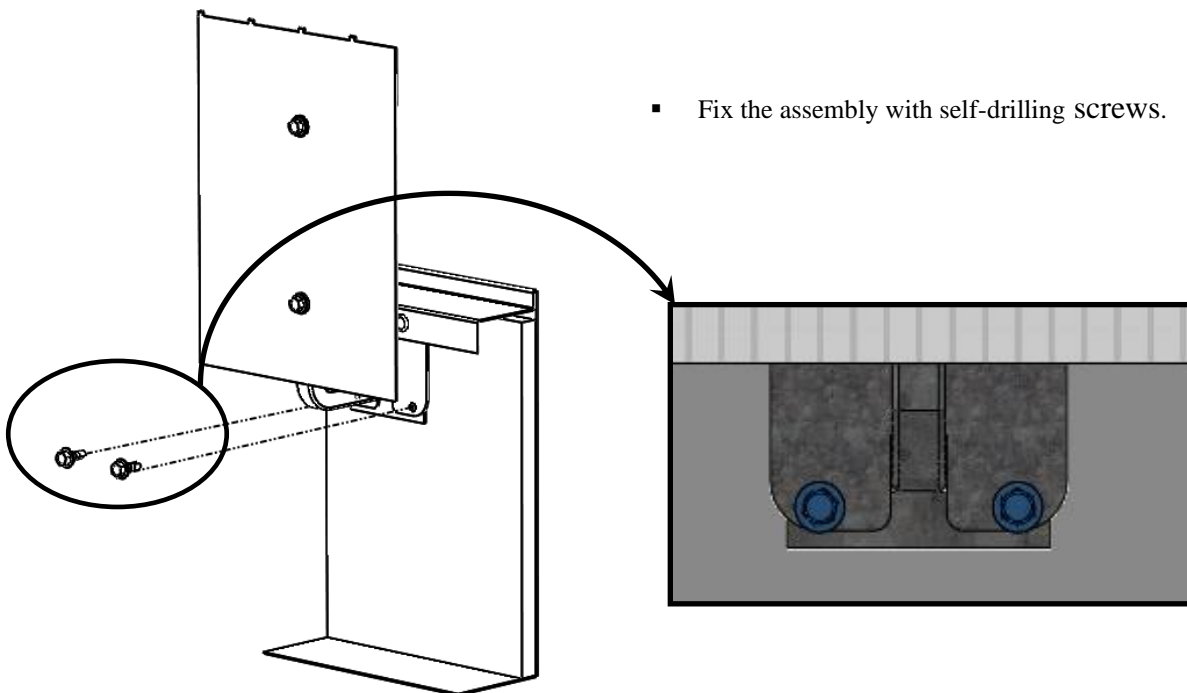
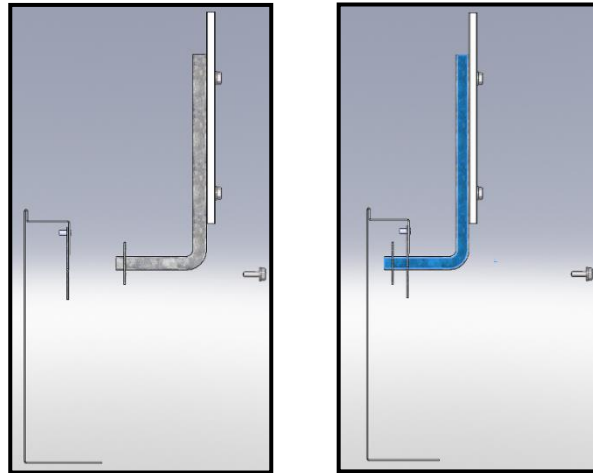




Installation and maintenance instructions

Rooflam Winch Evolution

- Pass the deflectors' legs behind their support.



- Fix the assembly with self-drilling screws.



Installation and maintenance instructions

Rooflam Winch Evolution

4. Assembly and connection

The device comes with all pre-connections made at the factory.

For the connection of the DENFC and its options to the trigger device: refer to the standard in force.

7. Instructions for use


- Once the device is mounted and the cable connected, disassemble the safety tab that holds the opening during transport, it is located between the crossmember and the cross-member support triangle.
- For commissioning, carry out one or more test(s) to verify the proper functioning of the DENFC.

8. Maintenance instructions

Please note: our devices are not warranted for an exhibition that may alter the initial characteristics of an element or function of the DENFC.

The operation, maintenance and periodic verification operations will be carried out according to the requirements of the texts and standards in force as well as the following SKYDOME[®] requirements :

- Proceed at least 2 times a year to the opening/closing in a safe position of the DENFC.
- Verification operations:
 - Check in particular the condition of the joints, hinges, verror as well as the stem of the cylinders. It is important to keep these elements lubricated (graise, oil), except the rod of the cylinders.
 - Check the tightening of the screwed elements (chords, cylinder trunnions, etc.).
 - When the stem of a cylinder is scratched, deformed or if there are leaks, replace it.
 - Do not clean the cylinder stem with a solvent, as it can damage the joints.
 - Do not paint the stem of the cylinder.
- DENFC verification operations must be carried out at least 1 time per year by an authorized company.

Page 10 on 11	Ref: NIE 018-5 Rooflam Winch Evolution Updated: 01/08/2022	SKYDOME Factory Entre-deux-Villes 02270 Sounds-and-Ronchères Phone : 03 23 21 79 90	
------------------	--	--	---



Installation and maintenance instructions

Rooflam Winch Evolution

9. Replacement


All components of the device are available on request from SKYDOME.®

10. Additional information about options:

Nothingness

11. Note

General tolerance on the base of ± 5 mm

Page 11 on 11	Ref: NIE 018-5 Rooflam Winch Evolution Updated: 01/08/2022	SKYDOME Factory Entre-deux-Villes 02270 Sounds-and-Ronchères Phone : 03 23 21 79 90	
------------------	--	--	---